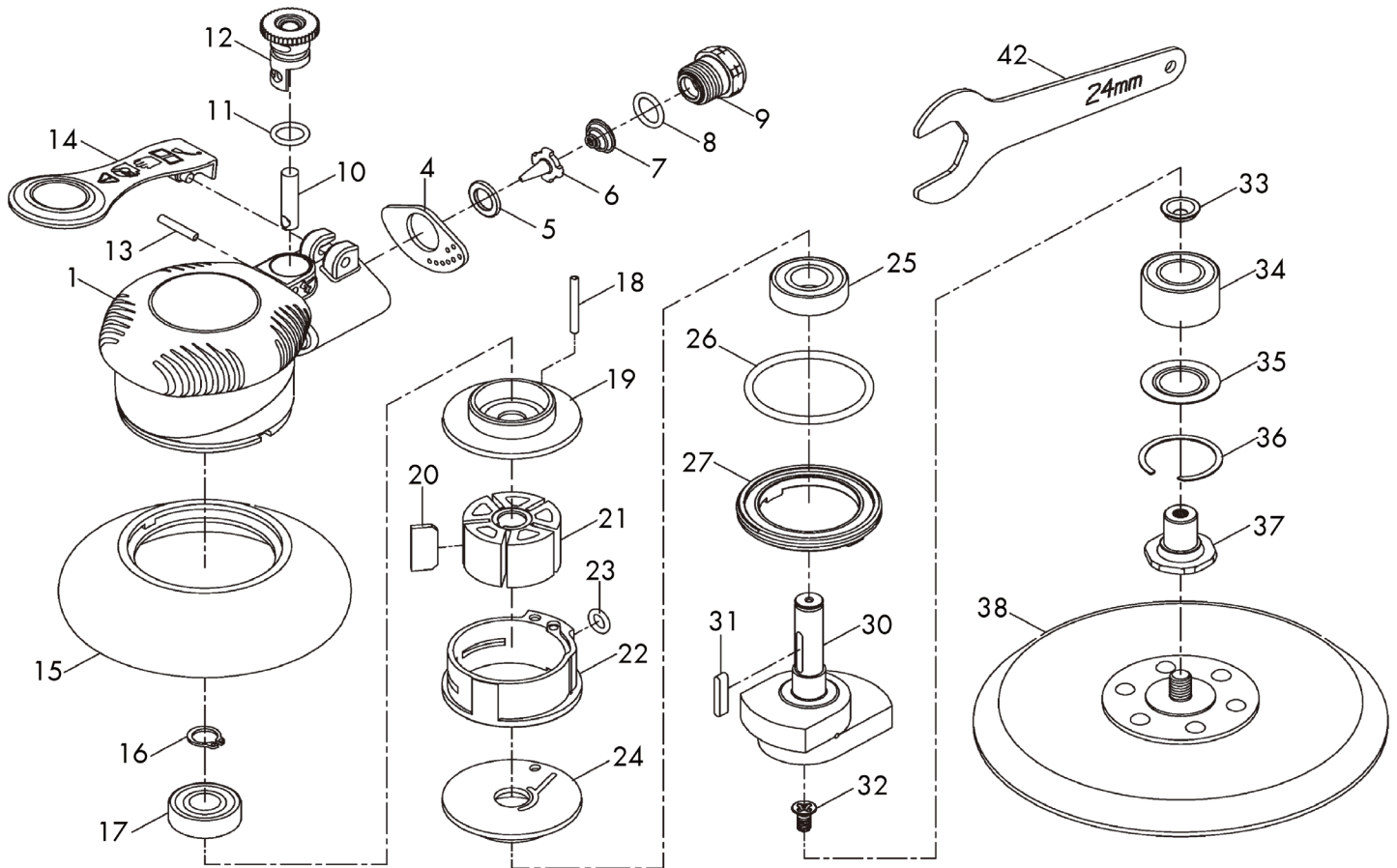


6" HEAVY DUTY ORBITAL SANDER



6" HEAVY DUTY ORBITAL SANDER - Art. No. 703.307

PARTS LIST

Index	Part No.	Description	P. Qty.	Index	Part No.	Description	P. Qty.
1	322-01	Housing	1	21	3022S-22	Plastic Rotor	1
4	322-04	Deflector Washer		22	3022S-24	Cylinder	
5	3022-11	Spacer		23	3022-25	O-Ring	
6	3022-12	Controller		24	3022-26	Front Plate	
7	3022-13	Spring		25	3022-27	Ball Bearing	
8	322-08	O-Ring		26	3022-28	O-Ring	
9	322-09	Inlet Bushing		27	3022-29	Cover Locker	
10	3022-07	Valve Stem		30	3025S-32	Rotor Shaft (For 325P & 325)	
11	3022-04	O-Ring		31	3022-41	Key	
12	3014-04	Regulator		32	3022-44	Screw	
13	3022-08	Pin		33	3022-45	Washer	
14	3014-13A	Lever (For 325P & 325)		34	3022S-33	Double-Row Bearing	
15	322-15	Cover		35	3022-35	Washer	
16	3022-18	Retaining Ring		36	3022-36	Retaining Ring	
17	3022-19	Ball Bearing		37	3022S-37	Drive Spindle	
18	3022-21	Pin		38	4606	6" Velcro Pad (For 325)	
19	3022-20	Rear Plate		38	4608	6" PSA Pad (For 325P)	
20	3022S-23	Rotor Blade		42	3022-40	Wrench (24mm)	